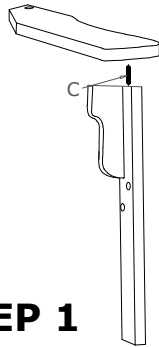


COASTAL ADIRONDACK ROCKER

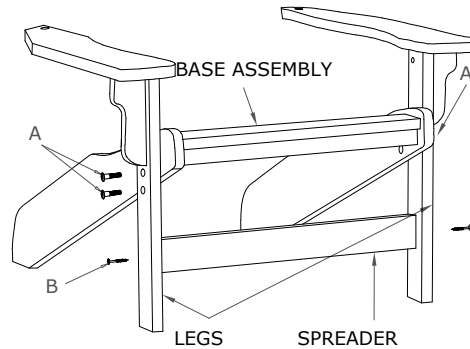
AD-0112

BREEZESTA tm
Recycled Poly Furniture



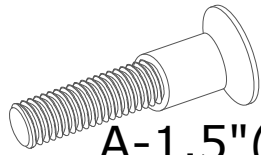
STEP 1

Attach front legs to the arms by inserting screw (c) into pre-drilled holes and twisting legs into arms till tight. Make sure the bottom hole is towards the back.

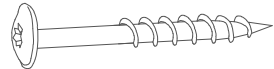


STEP 2

Attach Spreader to legs with screws (B) as shown. Bolt legs to base assembly using bolts (A).



A-1.5" (14 pcs.)



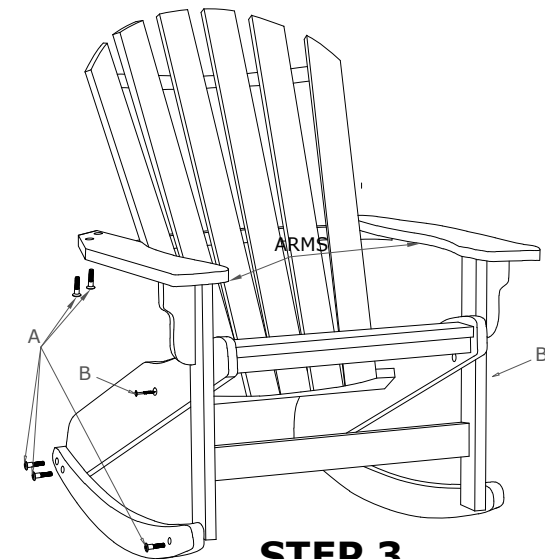
B-1.5" (4 pcs.) painted



C-1.5" (2 pcs.) unpainted

LIST OF PARTS

- Back Assembly (1)
- Base Assembly (1)
- Legs (2)
- Spreader (1)
- Arms (2)
- Rocker Legs (2)
- Chair Bolts "A" (14)
- Colored Screws "B" (4)
- Screws "C" (2)
- Insert Bit Tool (1)



STEP 3

Bolt back assembly to arms assembly using 2 bolts (A) on each side and 1 screw (B) as shown. Bolt Rocker legs to legs using bolt (A) as shown.